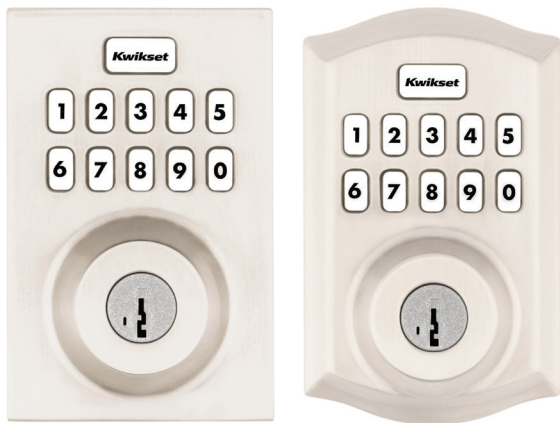


# HomeConnect™ 620

KEYPAD ELECTRONIC SMART LOCK



Installation Guide



# Welcome to the Kwikset family!

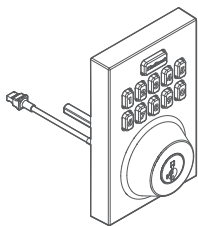
This guide will get you up and running with your new **Home Connect 620 Smart Lock**.

If you have any issues, please visit our support center: [kwikset.com/support](https://www.kwikset.com/support) or call us at 1-866-863-6584.

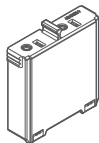
# Table of contents

Parts in the box .....	2
Required tools .....	3
Installation.....	5
Smart home system setup.....	15
Reference guide .....	17

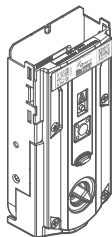
# Parts in the box



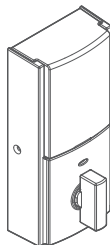
Exterior assembly



Battery pack

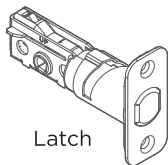


Interior assembly



Interior cover

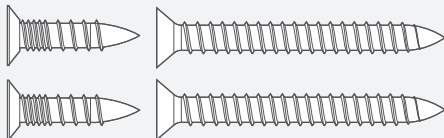
## Step 1



Latch

### 03809

*actual  
size*



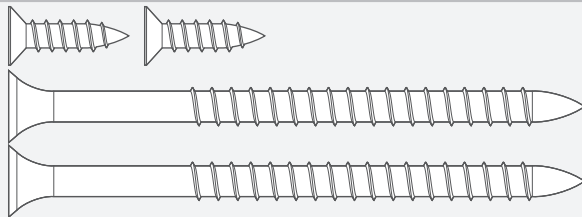
## Step 2



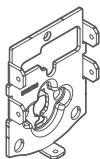
Strike

### 46780

*actual  
size*



### Step 3



Mounting plate



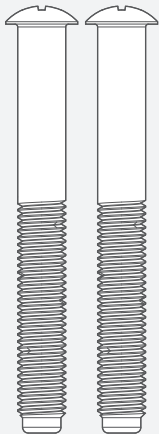
Keys



Adaptor ring

68272

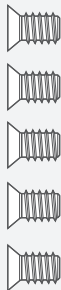
*actual size*



### Step 4

69316

*actual size*



### Step 5

Batteries SmartKey™ tool



68611

*actual size*



## Required tools

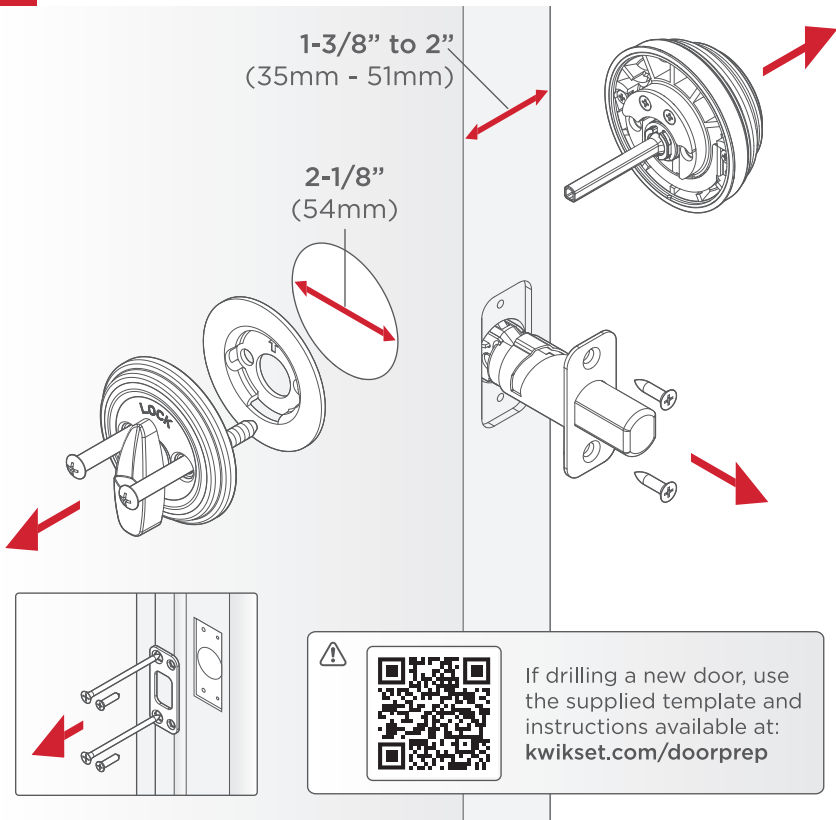


Phillips head screwdriver

 No electric drills

# Installation

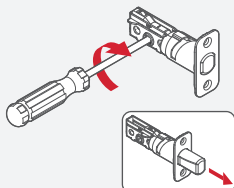
**!** Remove your existing deadbolt and strike



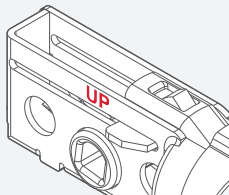
  If drilling a new door, use the supplied template and instructions available at: [kwikset.com/doorprep](http://kwikset.com/doorprep)

# 1 Install the latch

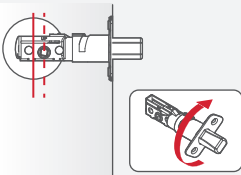
A Extend the latch bolt.



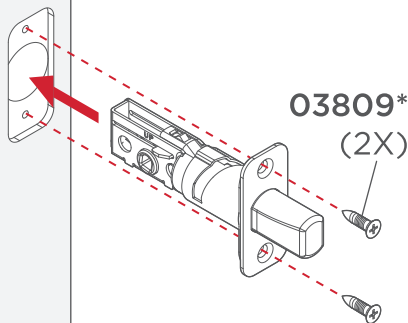
B UP is on top.



C If the D-shaped hole is not centered in the door hole, rotate the latch face to extend the latch.



⚠ If your door requires a drive-in latch, please contact Kwikset at 1-866-863-6584.

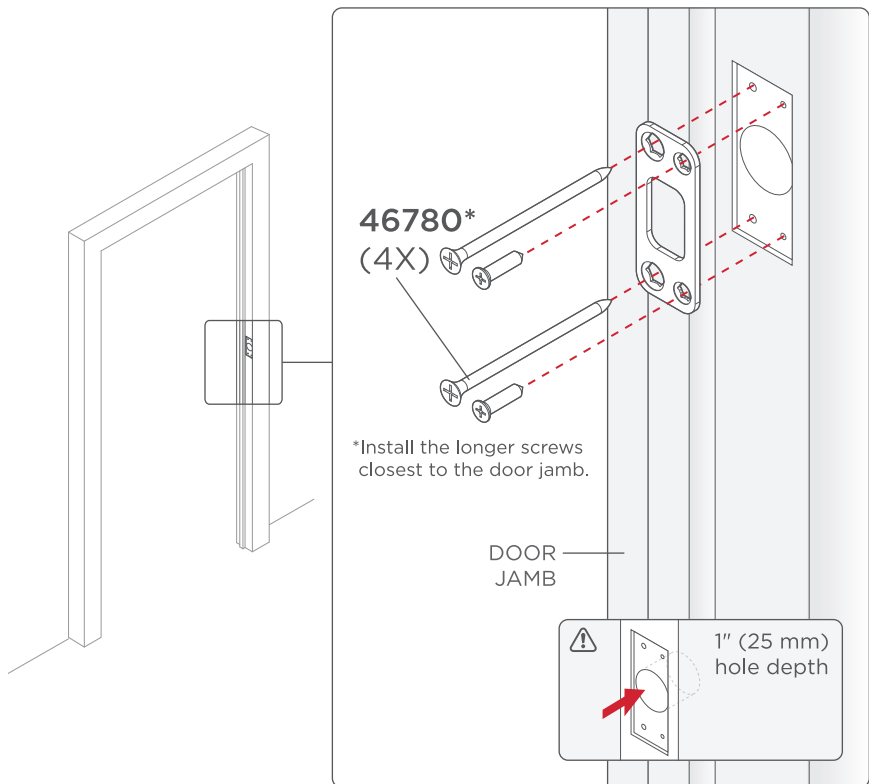


\*Use the longer screws if the holes are worn out.

You will have two extra screws.

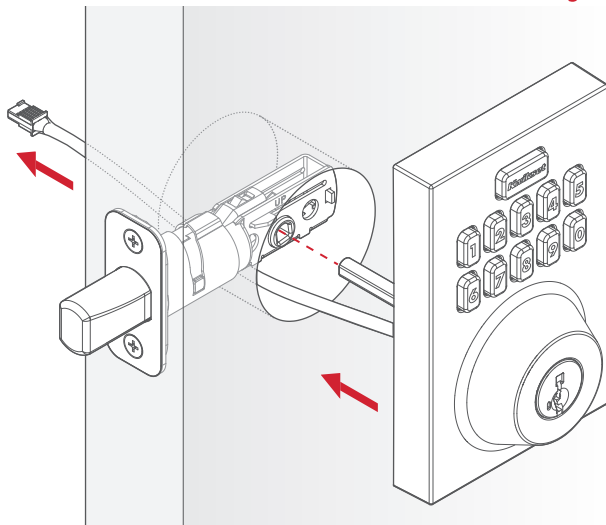


## 2 Install the strike

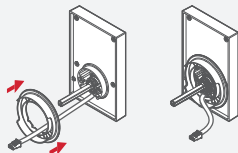


### 3 Install the exterior assembly

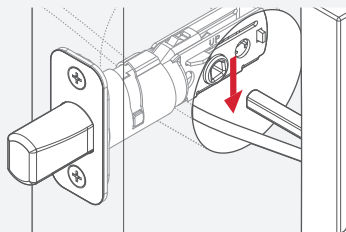
[OUTSIDE]



- A** If the hole in the door is 2-1/8" (54 mm), install the adapter ring. If the hole in the door is 1-1/2" (38 mm), the adapter ring is not needed.



- B** Cable goes under the latch.

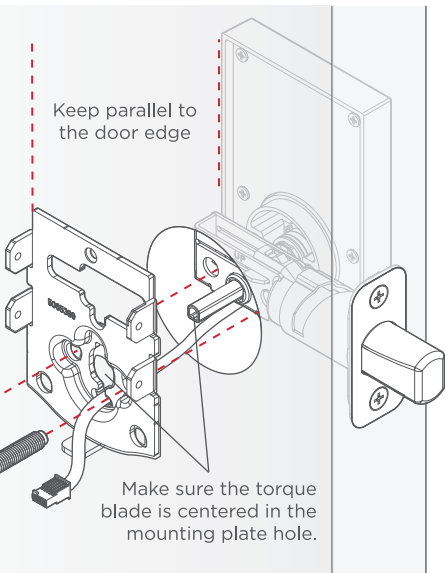


[INSIDE]

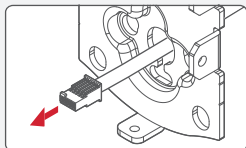
Tighten the screws evenly.  
**DO NOT** over-tighten.



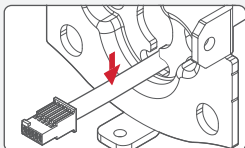
**68272**  
(2X)



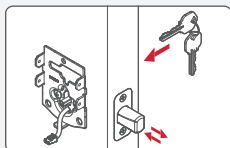
- C** Route the cable through the center hole of the mounting plate.



- D** Push the cable into the bottom hole of the mounting plate.

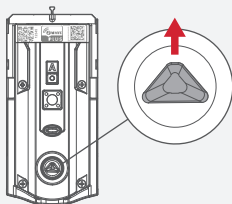


- E** Insert the key and test the latch. If the latch does not extend or retract smoothly, adjust the screws.



## 4 Install the interior assembly

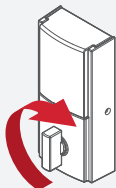
- A Make sure the turnpiece shaft is pointing up as shown below.



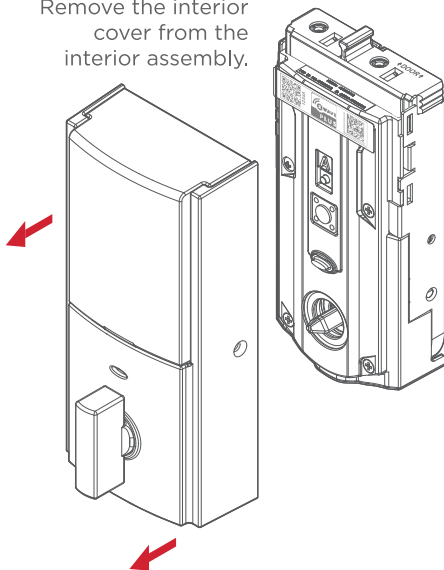
Incorrect:



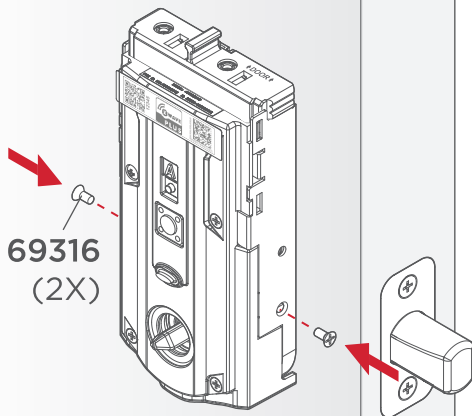
- B If the turnpiece shaft is not pointing up, put the cover back on and rotate the turnpiece until you hear a click.



Remove the interior cover from the interior assembly.



Secure the interior assembly onto the mounting plate.



**69316**  
(2X)

**Note:** The remaining three screws will be used in the next step.

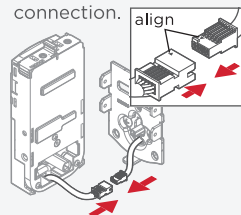


Ensure you are using the correct screws. Using incorrect screws will damage the product.

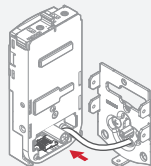


[INSIDE]

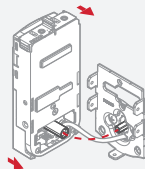
- C** Connect the cable. Ensure a tight cable connection.



- D** Lay cable flat inside the bottom of the interior housing.

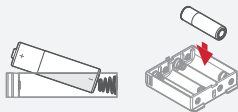


- E** Ensure the spindle fully engages with the turnpiece shaft.

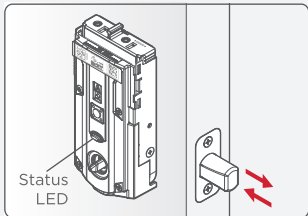


## 5 Perform the door handing process

Install 4 AA batteries into the battery pack.



The latch will retract and extend to learn the orientation of the door. Then the status LED will indicate success or failure.

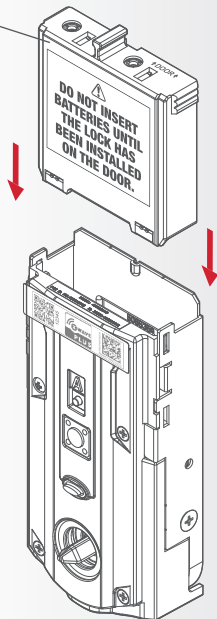


**GREEN:** Successful. Proceed to the next step.

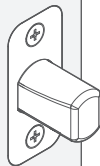
**RED:** Unsuccessful. Make sure the lock interior and batteries are correctly installed. Perform step 5 again. If your second attempt is still unsuccessful, follow the **Manual Door Handing** instructions on page 19.

**NOTE:** The lock will auto-hand again after the first time the door is locked or unlocked using the keypad or app. This is to confirm the door orientation.

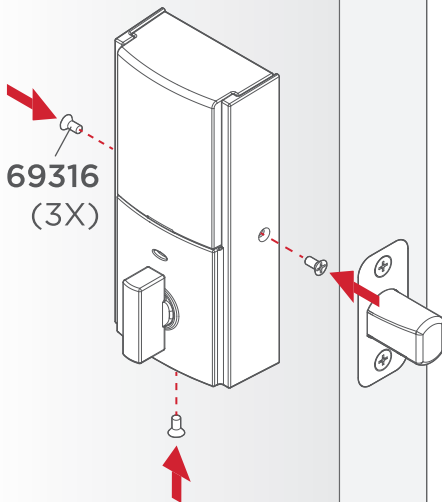
With the door open, install the battery pack to initiate auto-handing. **NOTE:** Lock must be installed on the door before installing the battery.



[INSIDE]

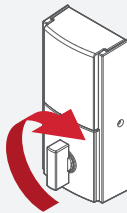


Secure the interior cover onto the interior assembly.



[INSIDE]

You may need to rotate the turnpiece to align with the turnpiece shaft.



For additional security, you may choose to lock the window by installing the security screw.

When the window is locked, you will need to remove the entire cover to access the battery pack and buttons.



When the window is unlocked, slide up the window to access the battery pack and buttons.

# Smart Home System Setup

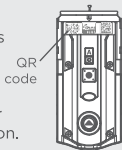


# Add the lock to your smart home system

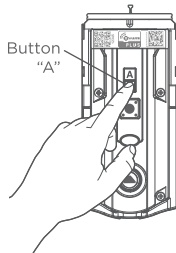
- A** Initiate the process to add the lock to your system at your smart home controller. Refer to your smart home system instructions for more information.

## SmartStart Enabled Products

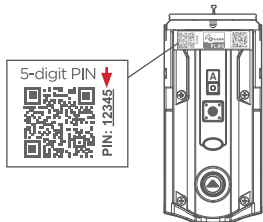
SmartStart enabled products can be added into a Z-Wave network by scanning the Z-Wave QR Code present on the product with a controller providing SmartStart inclusion. No further action is required and the SmartStart product will be added automatically within 10 minutes of being switched on in the network vicinity.



- B** If prompted by your smart home system to add the lock, press button "A" on the lock interior **one time**. The red LED will illuminate when the lock enters Add Mode.



- C** At this time, you may be prompted by your smart home system to enter the 5-digit PIN found on the label of the interior assembly. If not, proceed to step D.



- D** If successful, re-name the lock in your system (if applicable).

If unsuccessful, follow your system's instructions to remove the lock from the controller and any other network, then press button "A" on the lock one time.

Perform steps A-C again.

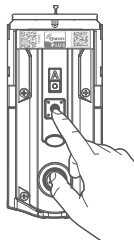
If still unsuccessful, consult the Programming and Troubleshooting Guide on the **Home Connect 620** page at [kwikset.com/support](http://kwikset.com/support).

# Reference Guide

# Add user codes (250 max)

During programming, if no button is pressed for five seconds, the system will time out (indicated by three beeps and a red flashing Kwikset button), and you will need to restart the procedure.

- A** Make sure the door is open. Press the "Program" button once.

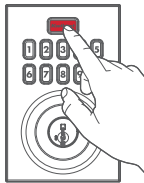


- B** Enter user code. A total of 250 users codes may be programmed.



For security reasons, each user code must be a unique code between 4 and 8 digits, and the first 4 digits of each user code must be unique.

- C** Press the Kwikset button once.



- D** What lights and sounds does the lock produce?

**GREEN with ONE BEEP**

Programming was successful.

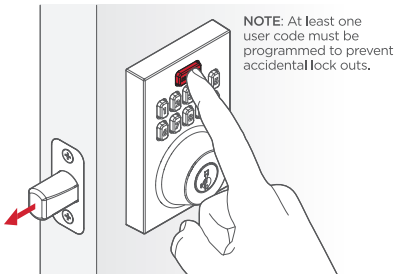
**RED with THREE BEEPS**

Programming was not successful.

- Ensure the user code is not a duplicate, is between 4 and 8 digits, and the first 4 digits are not the same as another code.
- Ensure the lock has room for an additional code. If all user code positions are filled, delete a code to make room for the new code.

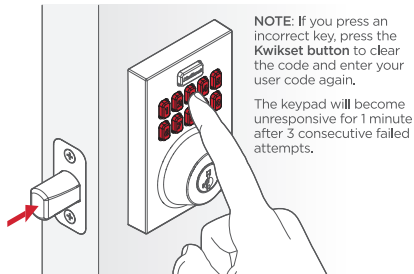
## Locking

To lock your door, press the **Kwikset button**.



## Unlocking

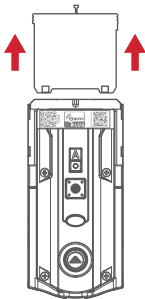
To unlock your door, enter your **user code**.



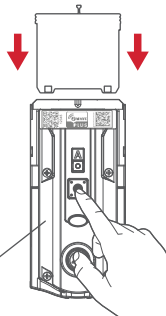
# Factory reset

A Factory Reset will delete all codes associated with the lock and the lock's network settings but will not remove the lock from the panel. Please run the Exclusion process to properly remove this lock from the network before performing a Factory Reset.

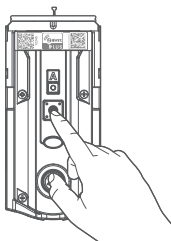
1. Remove battery pack.



2. Press and HOLD the "Program" button while reinserting the battery pack. Keep holding the button for 30 seconds until the lock beeps and the status LED flashes red.



3. Press the "Program" button once more. LED will cycle flashing between red and green while the reset process is being performed.



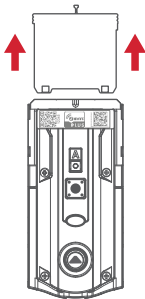
4. After a few seconds, the lock will initiate the door handing process, and the latch bolt will extend and retract to learn the orientation of the door.

**NOTE:** The lock will auto-hand again after the first time the door is locked or unlocked using the keypad or app. This is to confirm the door orientation.

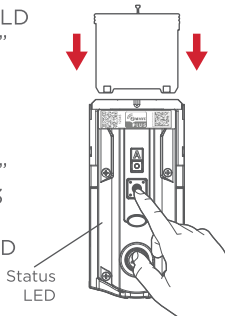
# Manual Door Handing

If needed, the door handing process can be initiated manually. This is useful if the lock is being moved to a different door.

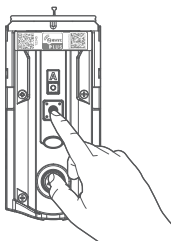
1. Remove battery pack.



2. Press and HOLD the “Program” button while reinserting the battery pack. Release the “Program” button after 3 seconds. The status LED will flash red and green.

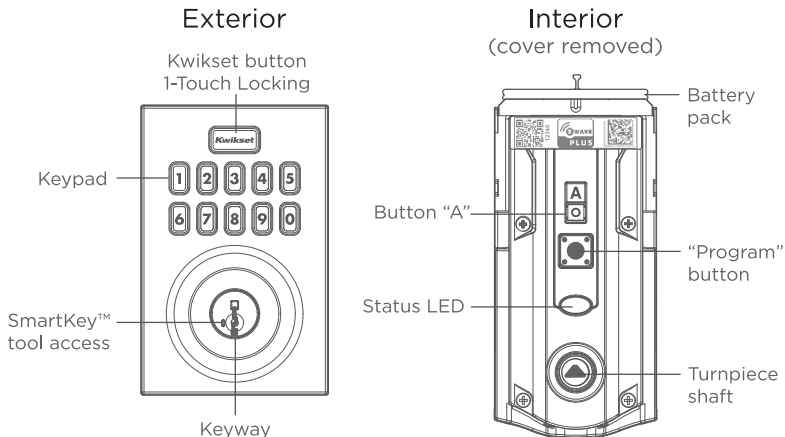


3. Press the “Program” button once more.



4. The latch bolt will extend and retract to learn the orientation of the door. The LED will flash green if handing is successful or red if handing is unsuccessful.

# Home Connect 620 at a Glance



## Troubleshooting

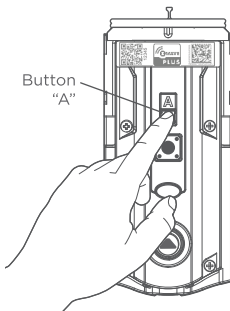
If you have any issues, please visit our support center: [kwikset.com/support](https://www.kwikset.com/support) or call us at **1-866-863-6584**.



## Network Information

### Removing the lock from the network

Follow your smart home system's instructions to remove the lock from the network. When prompted by the system, press button "A" on the lock interior once.



---

## Z-Wave® System Notes

This product is a security enabled Z-Wave Plus product and must be used with a Security Enabled Z-Wave controller to be fully utilized. Z-Wave is a "Wireless mesh network," and results may vary based on building construction and communication path.

To assure interoperability, each Z-Wave product must pass a stringent conformance test to assure that it meets the Z-Wave standard for complete compliance with all other devices and controls. The Z-Wave identity mark assures consumers, integrators, dealers and manufacturers that their products will reliably perform with any other Z-Wave device. And, regardless of the vendor, always powered nodes may act as a repeater for Kwikset/Weiser/Baldwin products.

Z-Wave Configuration and Association Parameters are available on the **Home Connect 620** page at [www.kwikset.com](http://www.kwikset.com).

# Important Safeguards

1. Read all instructions in their entirety.
2. Familiarize yourself with all warning and caution statements.
3. Remind all family members of safety precautions.
4. Always have access to your lock's standard key.
5. If using the Auto-Lock features, make sure you have your smartphone or standard key with you to prevent locking yourself out.
6. Familiarize yourself with all error notifications.
7. Replace low batteries immediately.
8. Dispose of used batteries according to local laws and regulations.

**⚠ WARNING:** This Manufacturer advises that no lock can provide complete security by itself. This lock may be defeated by forcible or technical means, or evaded by entry elsewhere on the property. No lock can substitute for caution, awareness of your environment, and common sense. Builder's hardware is available in multiple performance grades to suit the application. In order to enhance security and reduce risk, you should consult a qualified locksmith or other security professional.

---

## Regulatory Compliance

This product complies with standards established by the following regulatory bodies:

- Federal Communications Commission (FCC)
- Industry Canada

### FCC

This device complies with Part 15 of the FCC Rules. Operation is subject to the following two conditions: ( 1 ) this device may not cause harmful interference, and ( 2 ) this device must accept any interference received, including interference that may cause undesired operation.

This equipment has been tested and found to comply with the limits for a Class B digital device, pursuant to Part 15 of the FCC Rules. These limits are designed to provide reasonable protection against harmful interference in a residential installation.

This equipment generates, uses, and can radiate radio frequency energy and, if not installed and used in accordance with the instructions, may cause harmful interference to radio communications. However, there is no guarantee that interference will not occur in a particular installation. If this equipment does cause harmful interference to radio or television reception, which can be determined by turning the equipment off and on, the user is encouraged to try to correct the interference by one or more of the following measures:

- Reorient or relocate the receiving antenna.
- Increase the separation between the equipment and receiver.
- Connect the equipment into an outlet on a circuit different

from that to which the receiver is connected.

- Consult the dealer or an experienced radio/TV technician for help.

**IMPORTANT!** Changes or modifications not expressly approved by the manufacturer could void the user's authority to operate the equipment.

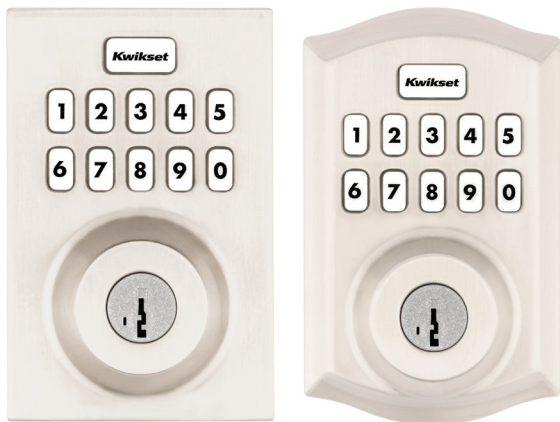
### Industry Canada

This device contains licence-exempt transmitter(s)/ receiver(s) that comply with Innovation, Science and Economic Development Canada's licence-exempt RSS(s). Operation is subject to the following two conditions: ( 1 ) This device may not cause interference, and ( 2 ) This device must accept any interference, including interference that may cause undesired operation of the device.



# HomeConnect 620™

CERRADURA INTELIGENTE  
ELECTRÓNICA DEL TECLADO



Guía de Instalación



# ¡Bienvenido a la familia Kwikset!

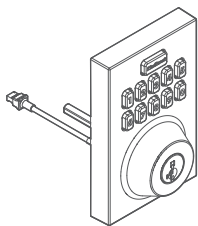
Esta guía lo pondrá en funcionamiento con su nueva cerradura inteligente **Home Connect 620**.

Si tiene algún problema, visite nuestro centro de soporte: **[kwikset.com/support](https://www.kwikset.com/support)** o llámenos al 1-866-863-6584.

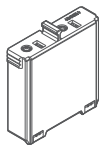
# Tabla de contenido

Piezas en la caja .....	2
Herramientas necesarias .....	3
Instalación .....	5
Configuración del sistema de casa inteligente.....	15
Guia de referencia .....	17

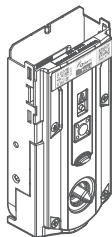
# Piezas en la caja



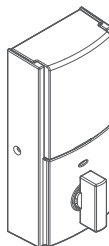
Ensamble exterior



Conjunto de baterías

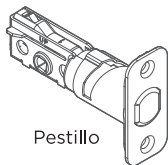


Ensamble interior



Cubierta interior

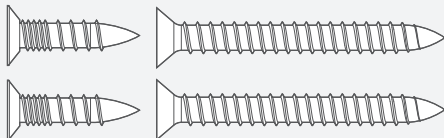
## Paso 1



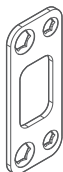
Pestillo

### 03809

*tamaño real*



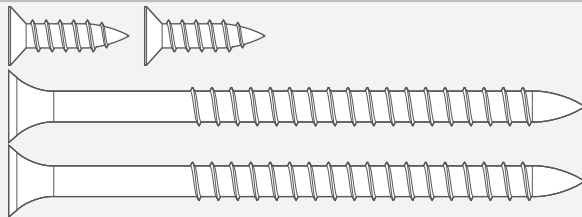
## Paso 2



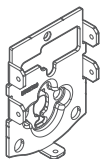
Placa

### 46780

*tamaño real*



### Paso 3



Placa de montaje



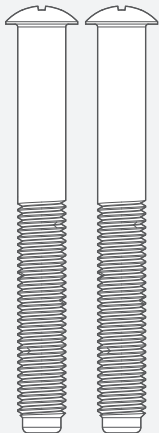
Llaves



Anillo de adaptador

68272

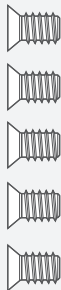
*tamaño real*



### Paso 4

69316

*tamaño real*



### Paso 5

Baterías

Herramienta SmartKey™



68611

*tamaño real*



## Herramientas necesarias



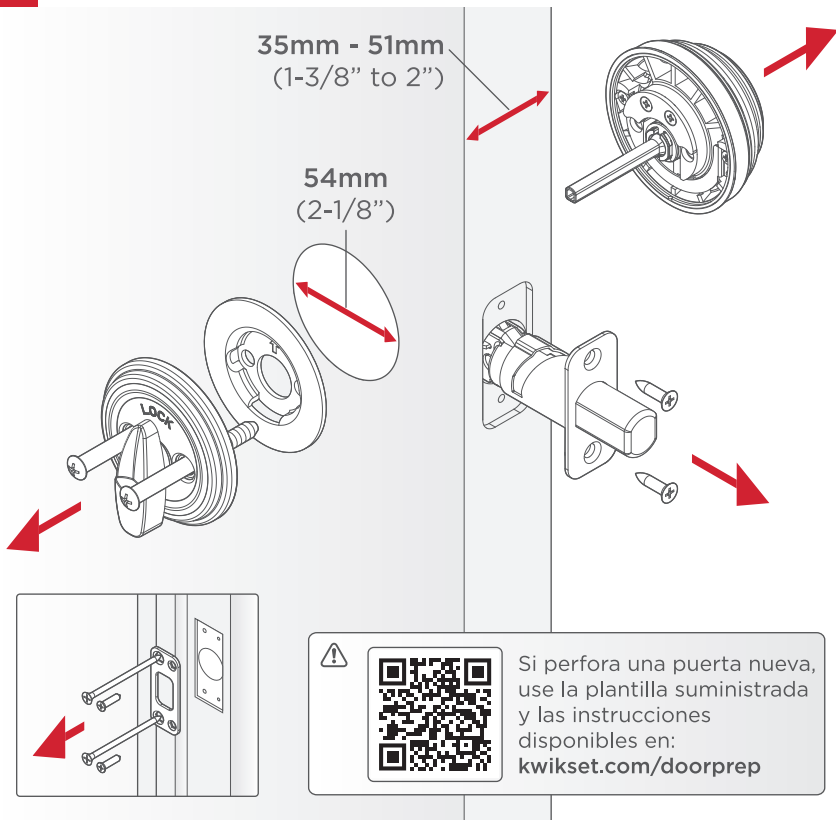
Destornillador Phillips



No taladros eléctricos

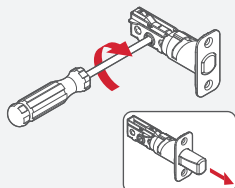
# Instalación

# ! Retire su cerrojo y placa existentes

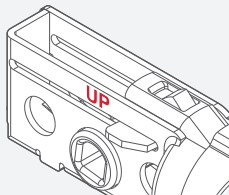


# 1 Instale el pestillo

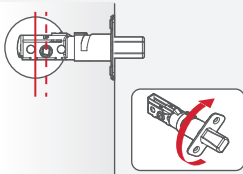
A Extienda el pestillo.



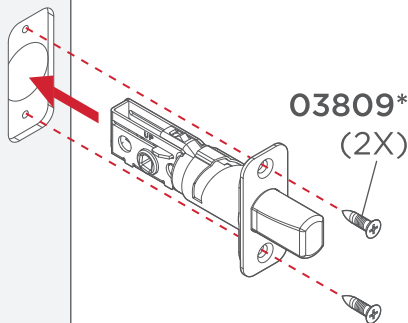
B UP está arriba.



C Si el orificio en forma de D no está centrado en el orificio de la puerta, gire la cara del pestillo para extenderlo.



⚠ Si su puerta requiere un pestillo de inserción, comuníquese con Kwikset al **1-866-863-6584**.



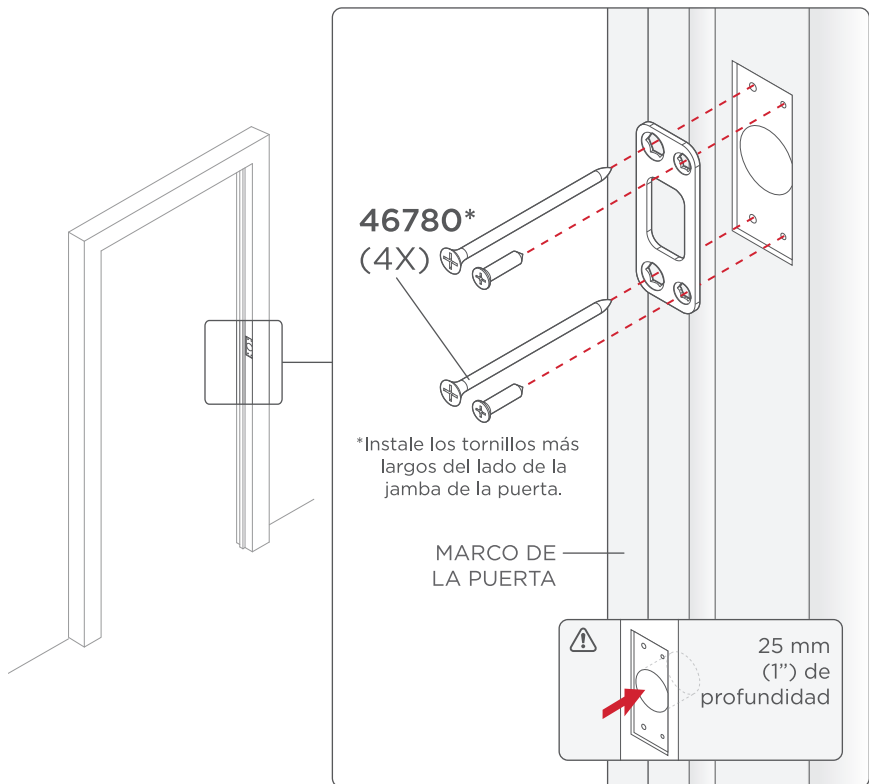
\*Use tornillos más largos si los agujeros están desgastados.

Tendrás dos tornillos adicionales.

[AFUERA]

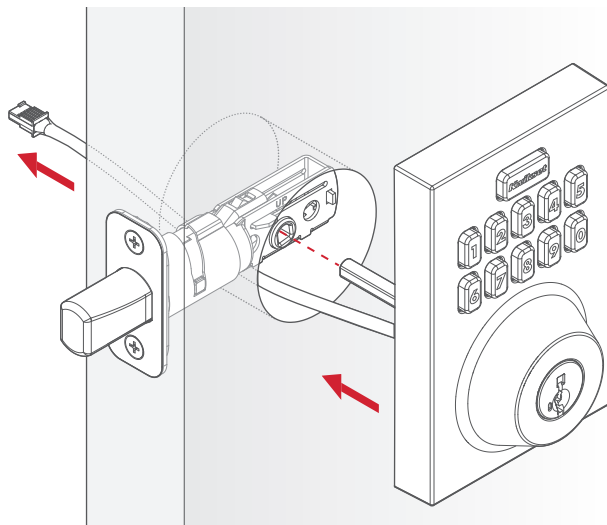


## 2 Instale la placa

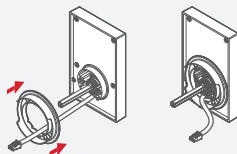


### 3 Instale el ensamblaje exterior

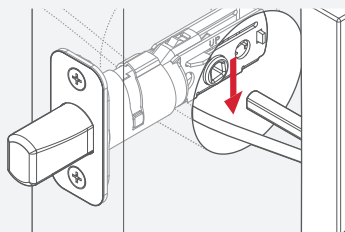
[AFUERA]



- A** Si el orificio de la puerta es de 54 mm (2-1/8"), instale el anillo adaptador. Si el orificio de la puerta es de 38 mm (1-1/2"), el anillo adaptador no es necesario.



- B** El cable va por debajo del pestillo.



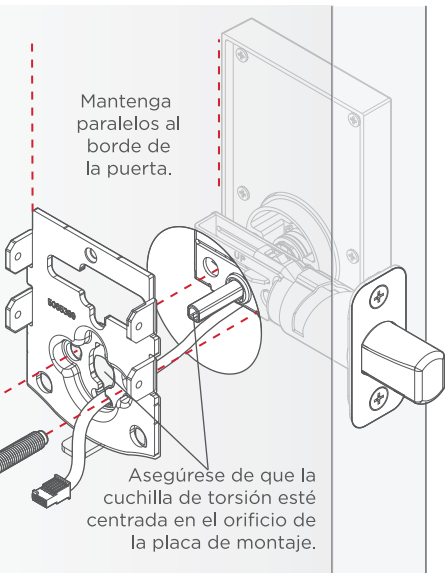
[ADENTRO]

Apriete los tornillos de  
manera uniforme.  
**NO** apriete demasiado.



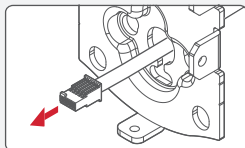
**68272**  
(2X)

Mantenga  
paralelos al  
borde de  
la puerta.

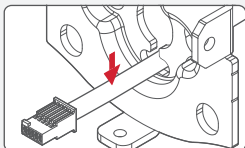


Asegúrese de que la  
cuchilla de torsión esté  
centrada en el orificio de  
la placa de montaje.

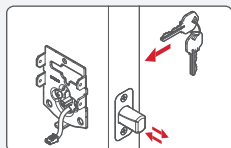
**C** Pase el cable a través  
del orificio central de  
la placa de montaje.



**D** Empuje el cable en el  
orificio inferior de la  
placa de montaje.

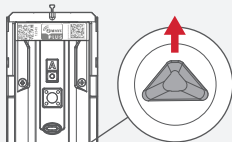


**E** Inserte la llave y  
pruebe el pestillo. Si el  
pestillo no se extiende o  
retrae suavemente,  
ajuste los tornillos.



## 4 Instale el ensamble interior

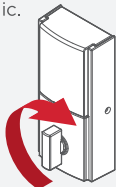
- A** Asegúrese de que el eje de la pieza giratoria esté apuntando hacia arriba como se muestra a continuación.



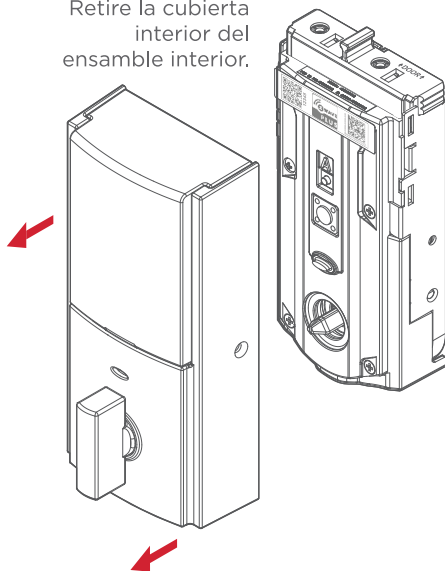
Incorrecto:



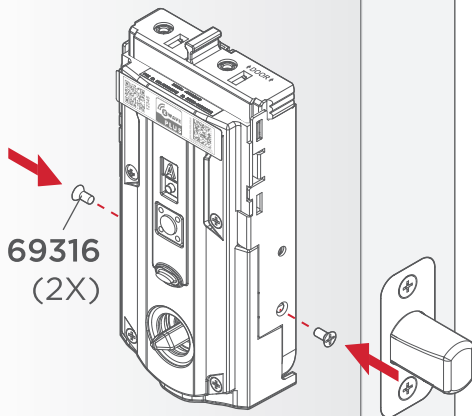
- B** Si el eje de la pieza de giro no apunta hacia arriba, vuelva a colocar la cubierta y gire la pieza de giro hasta que escuche un clic.



Retire la cubierta interior del ensamble interior.



Asegure el conjunto interior en la placa de montaje.



**69316**  
(2X)

**Nota:** Los tres tornillos sobrantes serán usados en el próximo paso.

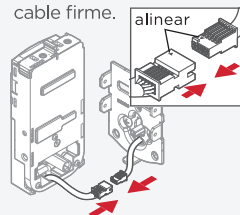
 Asegúrate de estar usando los tornillos correctos.

Usando tornillos incorrectos dañará el producto.

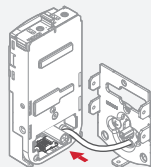


[ADENTRO]

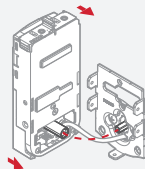
**C** Conecta el cable. Asegure una conexión de cable firme.



**D** Acomode el exceso de cable en el fondo del alojamiento interior.

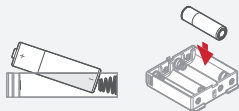


**E** Asegúrese de que el eje se enganche completamente con el eje de la pieza giratoria.



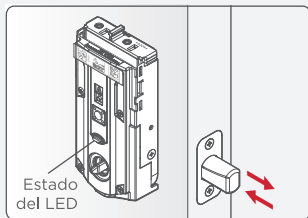
## 5 Realice el proceso de orientación de la puerta

Instale 4 AA baterías en el conjunto.



Con la puerta abierta, instale el conjunto de baterías para iniciar la orientación automática. **NOTA:** La cerradura debe instalarse en la puerta antes de instalar el conjunto de baterías.

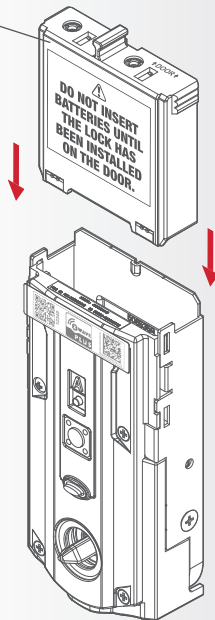
El pestillo se retraerá y se extenderá para aprender la orientación de la puerta. El LED de estado indicará éxito o falla.



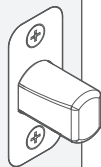
**VERDE:** Exitoso. Continuar con el siguiente paso.

**ROJO:** Falla. Asegúrese de que el interior de la cerradura y las baterías estén instaladas correctamente. Realice el paso 5 nuevamente. Si su segundo intento aún no tiene éxito, siga las instrucciones de **orientación manual de la puerta** en página 19.

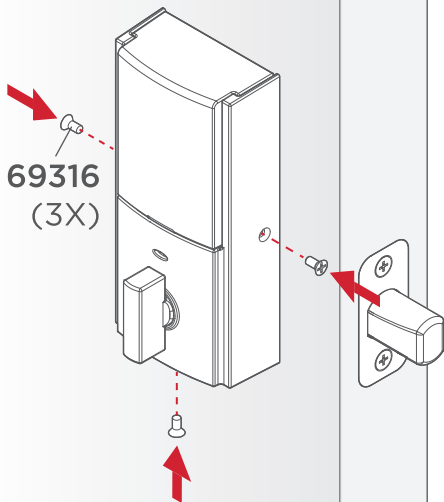
**NOTA:** La cerradura se activará automáticamente de nuevo después de la primera vez que se bloquee o desbloquee la puerta con el teclado o la aplicación. Esto es para confirmar la orientación de la puerta.



[ADENTRO]

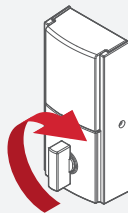


Asegure la cubierta interior en el ensamble interior.



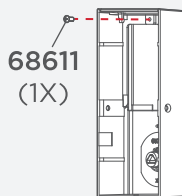
[ADENTRO]

Es posible que deba girar la pieza giratoria para alinearla con el eje de la pieza giratoria.



Para mayor seguridad, puede optar por bloquear la ventana instalando el tornillo de seguridad.

Cuando la ventana esté bloqueada, deberá quitar toda la cubierta para acceder a la batería y los botones.



Cuando la ventana está bloqueada, deberá quitar toda la cubierta para acceder al conjunto de baterías y los botones.

Casa inteligente

Configuración

del sistema

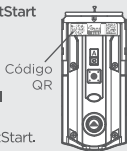


# Agregue la cerradura a su sistema de hogar inteligente

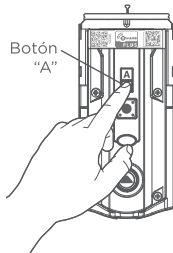
- A** Inicie el proceso para agregar el bloqueo a su sistema en el controlador de su hogar inteligente. Consulte las instrucciones de su sistema de hogar inteligente para obtener más información.

## Productos habilitados para SmartStart

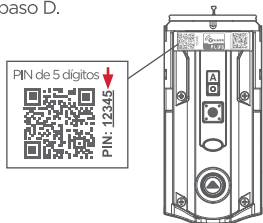
Los productos habilitados para SmartStart se pueden agregar a una red Z-Wave escaneando el código QR Z-Wave presente en el producto con un controlador que proporciona la inclusión de SmartStart. No se requieren más acciones y el producto SmartStart se agregará automáticamente dentro de los 10 minutos posteriores a su encendido en las cercanías de la red.



- B** Si su sistema de hogar inteligente le indica que agregue el candado, presione el botón "A" en el interior del candado **una vez**. El LED rojo se iluminará cuando la cerradura ingrese al modo Agregar.



- C** En este momento, es posible que su sistema de hogar inteligente le solicite que ingrese el PIN de 5 dígitos que se encuentra en la etiqueta del ensamblaje interior. De lo contrario, continúe con el paso D.



- D** Si tiene éxito, cambie el nombre de la cerradura en su sistema (si corresponde).

Si no tiene éxito, siga las instrucciones de su sistema para quitar el bloqueo del controlador y de cualquier otra red, luego presione el botón "A" en el bloqueo una vez.

Realice los pasos A-C nuevamente.

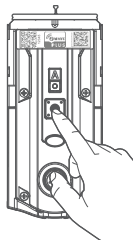
Si aún no tiene éxito, consulte la Guía de programación y solución de problemas en la página **Home Connect 620** en [wikiset.com/support](http://wikiset.com/support).

# Guia de referencia

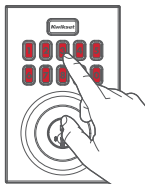
# Agregar códigos de usuario (250 máx.)

Durante la programación, si no se presiona ningún botón durante cinco segundos, el sistema expirará (indicado por tres pitidos y un botón Kwikset rojo parpadeante) y deberá reiniciar el procedimiento.

- A** Asegúrese de que la puerta esté abierta. Presione el botón "Programa" una vez.

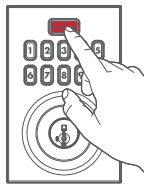


- B** Ingrese el código de usuario. Se pueden programar un total de 250 códigos de usuario.



Por razones de seguridad, cada código de usuario debe ser un código único de entre 4 y 8 dígitos, y los primeros 4 dígitos de cada código de usuario deben ser únicos.

- C** Presione el botón Kwikset una vez.



- D** ¿Qué luces y sonidos produce la cerradura?

## VERDE con UN PITIDO

La programación fue exitosa.

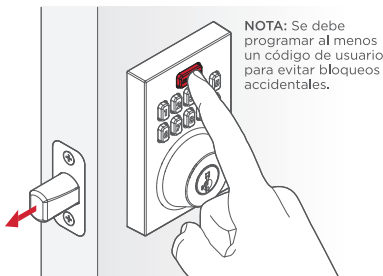
## ROJO con TRES PITIDOS

La programación no tuvo éxito.

- Asegúrese de que el código de usuario no sea un duplicado, tenga entre 4 y 8 dígitos y que los primeros 4 dígitos no sean iguales a otro código.
- Asegúrese de que la cerradura tenga espacio para un código adicional. Si todas las posiciones del código de usuario están llenas, elimine un código para dejar espacio para el nuevo código.

## Bloqueando

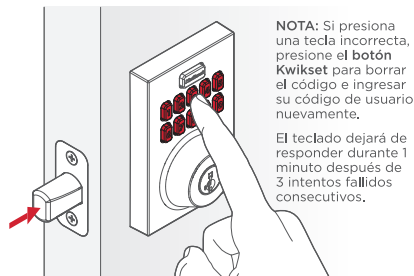
Para cerrar la puerta, presione el botón Kwikset.



**NOTA:** Se debe programar al menos un código de usuario para evitar bloqueos accidentales.

## Desbloqueando

Para desbloquear su puerta, ingrese su código de usuario.



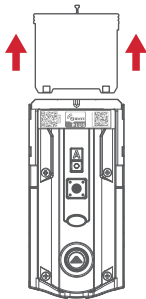
**NOTA:** Si presiona una tecla incorrecta, presione el botón Kwikset para borrar el código e ingresar su código de usuario nuevamente.

El teclado dejará de responder durante 1 minuto después de 3 intentos fallidos consecutivos.

# Restablecimiento de fábrica

Un restablecimiento de fábrica eliminará todos los códigos asociados con el candado y la configuración de red del candado, pero no eliminará el candado del panel. Ejecute el proceso de exclusión para eliminar correctamente este bloqueo de la red antes de realizar un restablecimiento de fábrica.

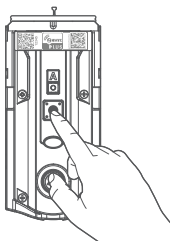
1. Retire el conjunto de baterías.



2. Presione y MANTENGA PRESIONADO el botón "Programa" mientras inserta el conjunto de baterías. Mantenga presionado el botón durante 30 segundos hasta que la cerradura emita un pitido y el LED de estado parpadee en rojo.



3. Presione el botón "Programa" una vez más. El LED parpadeará cíclicamente entre rojo y verde mientras se realiza el proceso de reinicio.



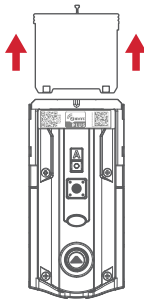
4. Después de unos segundos, la cerradura iniciará el proceso de apertura de la puerta y el pestillo se extenderá y retraerá para aprender la orientación de la puerta.

**NOTA:** La cerradura se activará automáticamente de nuevo después de la primera vez que se bloquee o desbloquee la puerta con el teclado o la aplicación. Esto es para confirmar la orientación de la puerta.

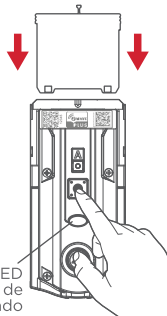
# Orientación manual de la puerta

En caso de ser necesario, el proceso de orientación de la puerta se puede iniciar en forma manual. Esto es útil si la cerradura se retira para colocarse en una puerta diferente.

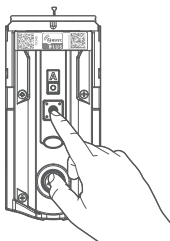
1. Retire el conjunto de baterías.



2. Presione y MANTENGA presionado el botón "Programa" mientras vuelve a insertar el conjunto de baterías. Suelte el botón "Programa" después de 3 segundos. El LED de estado parpadeará en rojo y verde.

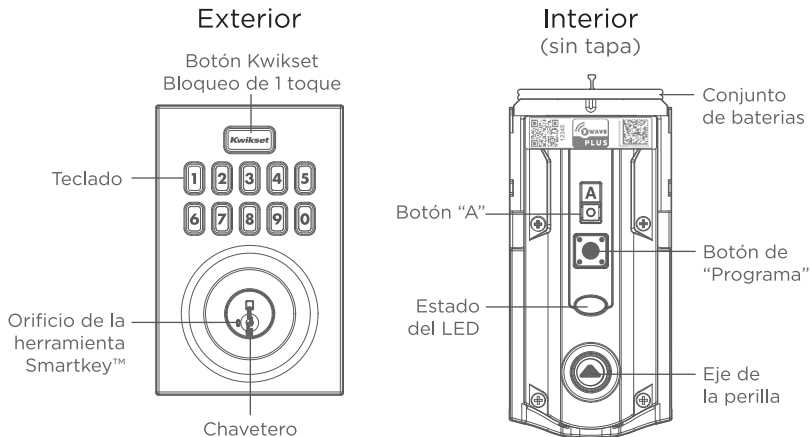


3. Presione el botón "Programa" una vez más.



4. El pestillo se extenderá y retraerá para aprender la orientación de la puerta. El LED parpadeará en verde si la manipulación se realiza correctamente o en rojo si no se ha realizado correctamente.

# Una mirada rápida sobre Home Connect 620



## Solución de problemas

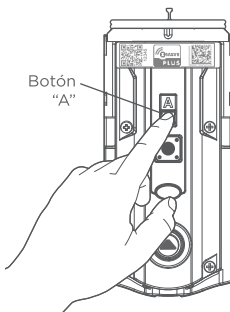
Si tiene algún problema, visite nuestro centro de soporte: [kwikset.com/support](http://kwikset.com/support) o llámenos al 1-866-863-6584.



## Información de red

### Retirando la cerradura de la red

Siga las instrucciones de su sistema de hogar inteligente para quitar el candado de la red. Cuando se lo solicite el sistema, presione el botón “A” en el interior de la cerradura una vez.



---

## Notas del sistema Z-Wave

Este producto es un producto Z-Wave Plus habilitado para seguridad y debe usarse con un controlador Z-Wave habilitado para seguridad para ser utilizado por completo. Z-Wave es una “red de malla inalámbrica” y los resultados pueden variar según la construcción del edificio y la ruta de comunicación.

Para garantizar la interoperabilidad, cada producto Z-Wave debe pasar una estricta prueba de conformidad para garantizar que cumple con el estándar Z-Wave para el cumplimiento total de todos los demás dispositivos y controles. La marca de identidad Z-Wave asegura a los consumidores, integradores, distribuidores y fabricantes que sus productos funcionarán de manera confiable con cualquier otro dispositivo Z-Wave. Y, independientemente del proveedor, los nodos siempre alimentados pueden actuar como repetidores para los productos Kwikset / Weiser / Baldwin.

Los parámetros de asociación y configuración de Z-Wave están disponibles en la página de **Home Connect 620** en **[www.kwikset.com](http://www.kwikset.com)**.

# Medidas de protección importantes

1. Lea todas las instrucciones en su totalidad.
2. Familiarícese con todas las declaraciones de advertencia y precaución.
3. Recuerde a todos los miembros de la familia las precauciones de seguridad.
4. Siempre tenga acceso a la llave estándar de su cerradura.
5. Si usa las funciones de bloqueo automático, asegúrese de tener su teléfono inteligente o llave estándar para evitar bloquearse.
6. Familiarícese con todas las notificaciones de error de la barra de luces.
7. Reemplace las baterías bajas de inmediato.
8. Deseche las baterías usadas de acuerdo con las leyes y regulaciones locales.

**⚠ ADVERTENCIA:** Este Fabricante hace saber que no hay cerrojos que puedan proporcionar completa seguridad por sí mismos. Puede hacerse que falle este cerrojo forzándolo o utilizando medios técnicos, o puede evadirse entrando por otra parte de la propiedad. No hay cerrojos que puedan hacer de sustitutos para la precaución, el estar al tanto del entorno, y el sentido común. Pueden obtenerse piezas de ferretería de constructor con diversos grados de rendimiento para ajustarse a la aplicación. Para realzar la seguridad y reducir los riesgos, debe consultar con un cerrajero capacitado u otro profesional de seguridad.

## Cumplimiento Normativo

Este producto cumple con las normas establecidas por los siguientes organismos reguladores:

- Comisión Federal de Comunicaciones (FCC)
- Industria de Canada

### FCC

Este dispositivo cumple con la 15ª parte del reglamento de la FCC. Su funcionamiento está sujeto a las siguientes dos condiciones: (1) este dispositivo no deberá causar ninguna interferencia dañina, y (2) este dispositivo deberá aceptar cualquier interferencia recibida, incluyendo aquella que podría causar un funcionamiento no deseado.

Se realizaron pruebas a este equipo cuyos resultados revelaron que cumple con los límites establecidos para un dispositivo digital de la Clase B, conforme a la 15ª parte del reglamento de la FCC. Estos límites han sido impuestos

para proporcionar protección razonable contra interferencias dañinas en una instalación residencial. Este equipo genera, utiliza y puede irradiar energía de radiofrecuencia y, si no se instala y utiliza según lo que indican las instrucciones, podría causar interferencia dañina en radiocomunicaciones. Sin embargo, no hay garantía de que la interferencia no ocurrirá en determinadas instalaciones. Si este equipo efectivamente causa interferencia en la recepción de radio o televisión, la cual puede determinarse encendiendo y apagando el equipo, sugerimos al usuario que intente corregir dicha interferencia tomando una o más de las siguientes medidas:

- Volver a orientar o ubicar la antena receptora.
- Incrementar la distancia entre el equipo y el receptor.
- Conectar el equipo a una toma de corriente en un circuito distinto del circuito en el cual esté conectado el receptor.

- Consultar con el distribuidor u un técnico de radio y TV con experiencia para obtener su ayuda.

**¡IMPORTANTE!** Todo cambio o modificación no aprobado expresamente por el fabricante podría desautorizar al usuario para operar el equipo.

Industria de Canada  
Este dispositivo contiene transmisor (es) / receptor (es) exento (s) de licencia que cumple con los RSS (s) exentos de licencia de Innovación, Ciencia y Desarrollo Económico de Canadá. El funcionamiento está sujeto a las dos condiciones siguientes: (1) este dispositivo no puede causar interferencia, y (2) este dispositivo debe aceptar cualquier interferencia, incluida la interferencia que pueda causar un funcionamiento no deseado del dispositivo.